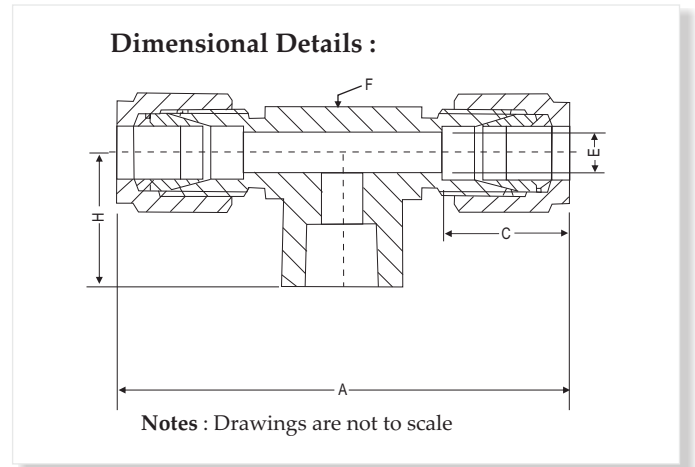


## FEMALE BRANCH TEE



Dimension, in.

Tube OD	NPT Female Thread Size	Part Number	A	C	E	F	H
1/8	1/8	K2TFB2N	1.94	0.50	0.09	1/2	0.75
1/4	1/8	K4TFB2N	2.12	0.60	0.19	1/2	0.75
1/4	1/4	K4TFB4N	2.34	0.60	0.19	11/16	0.88
3/8	1/4	K6TFB4N	2.46	0.66	0.28	11/16	0.88
3/8	3/8	K6TFB6N	2.62	0.66	0.28	13/16	0.88
3/8	1/2	K6TFB8N	2.84	0.66	0.28	1	1.12
1/2	1/4	K8TFB4N	2.84	0.90	0.41	13/16	0.88
1/2	3/8	K8TFB6N	2.84	0.90	0.41	13/16	0.88
1/2	1/2	K8TFB8N	3.06	0.90	0.41	1	1.12
3/4	3/4	K12TFB12N	3.52	0.96	0.62	13/8	1.25
1	3/4	K16TFB12N	3.86	1.23	0.88	3/8	1.25
1	1	K16TFB16N	4.22	1.23	0.88	1/16	1.50

Dimension, mm.

Tube OD	NPT Female Thread Size	Part Number	A	C	E	F in	H
6	1/8	KM6TFB2N	53.9	15.3	4.8	1/2	19.0
6	1/4	KM6TFB4N	59.5	15.3	4.8	11/16	22.4
8	1/8	KM8TFB2N	59.7	16.2	6.4	5/8	19.0
8	1/4	KM8TFB4N	61.2	16.2	6.4	11/16	22.4
10	1/4	KM10TFB4N	67.0	17.2	7.9	13/16	22.4
12	1/4	KM12TFB4N	72.0	22.8	9.5	13/16	22.4
12	3/8	KM12TFB6N	72.0	22.8	9.5	13/16	22.4
16	1/2	KM16TFB8N	77.6	24.4	12.7	1	28.4

### Note:

- A and C dimensions are typical finger-tight

Dimensions and specifications shown are approximate, may vary from time to time.

Ventil tube fittings are ordered by part numbers as listed in this catalogue and other sizes will be available on request.